

Assembly Instructions

OVAL TUBE UNIVERSAL RADIATOR

Parts Supplied

Ref	Description	Illustration	Qty
A	Radiator		1
B	Air vent		1
C	Blanking plug		1

Parts Supplied

Ref	Description	Illustration	Qty
A	Radiator		1
B	Air vent		1
C	Blanking plug		1

Fittings Supplied

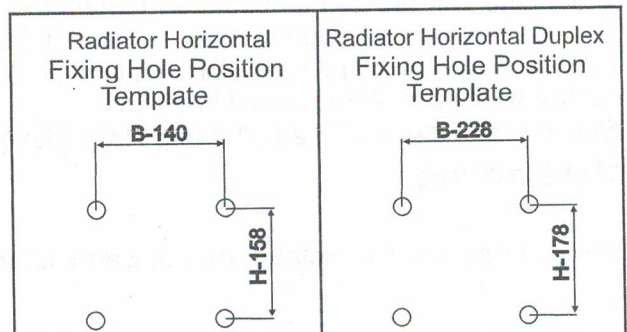
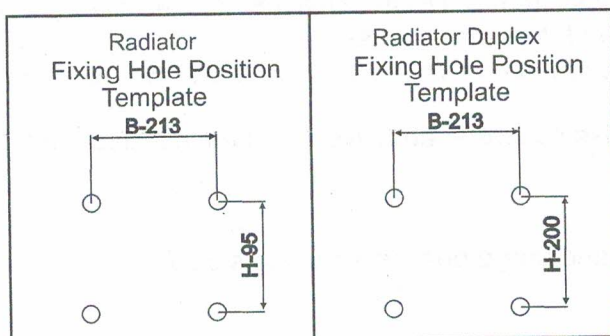
Ref	Description	Illustration	Qty
D	Masonry plug		4
E	Screw		4
F	Bolster		4
G	Bracket		4

Fittings Supplied

Ref	Description	Illustration	Qty
D	Masonry plug		4
E	Screw		4
F	Bolster		4
G	Galvanized Bracket		4

Tools Required (not supplied)

Drilling Machine Electric Drill, Drill 10 mm Masonry Drill Bit, 22 mm Spanner, Screwdriver, Hammer



Before You Start

- Please read instructions carefully before installation.
- Check the pack and make sure you have all parts listed above. If not, contact your local store who will be able to help you
- Ensure you have suitable isolation valves.
- Before drilling, first check that there are **no** hidden water pipes or electrical cables.
- This radiator is designed for use in closed heating systems only with a maximum pressure of 10 bars (most common domestic heating systems do not exceed 3 bars)
- When you are ready to start, make sure you have the right tool to hand, plenty

Installation

1. Using the dimensions given in the fixing hole template if using the plugs supplied drill 4 holes to a depth of approximately 50 mm and a diameter of 8 mm. **NOTE:** The distance from the floor to the bottom of the radiator must be at least 200 mm for efficient heating and ventilation. The distance between the two ½" pipe connections is the width + valve allowance (B).
2. Insert masonry wall plugs (D) provided into the drilled holes, solid walls only.
3. Fasten screw (E) with through bracket (F) to fix securely to the wall.
Take care not to over tighten.
4. Hang the radiator on the brackets.
5. Fit the supplied air vent (B) and blanking plug (C) into the upper threaded openings of the radiator.
6. Connect the water flow and the return pipe to the chosen side of the radiator and the isolation valves (not supplied). Ensure a water tight seal is obtained by using PTFE tape on the threads.
7. How to first fill and vent the radiator:
 - Open the air vent
 - Slightly open the inlet valve (about 10%) while leaving the outlet valve totally closed.
 - Allow the system to fill the radiator. If possible fill without use of the heating pump, it is important that the radiator is filled slowly.
 - When the radiator has been filled close the air vent.
 - Open both inlet and outlet valves totally and use the heating system for about 2 hours.
 - Totally close both inlet and outlet valves.
 - Open the air vent and let out all air.
 - This should clear all air from the radiator. If you are still having problems, on some systems it may be necessary to fit an automatic air vent.
8. Please ensure that a correct seal is made on the connections of the radiator as corrosion due to incorrect installation is not covered under the product warrantee.

Care & Use

- After fitting you **MUST** be absolutely certain that the system is **THOROUGHLY** flushed before it is commissioned in order to rinse out any metal, flux and foreign residues.
- To help prevent internal corrosion and lime scale formation a suitable inhibitor **MUST** be added to the central heating system when it is refilled
- Wipe radiator clean with a soft damp cloth. Never use scourers, abrasives or chemical cleaners.

Troubleshooting

- If some panels of the radiator are not warm, check and purge once more using step 7.

10 YEAR GUARANTEE

- This product is guaranteed for 10 years against defects in materials and workmanship.
- This guarantee does not cover defects that occur as a result of incorrect use or improper installation as set out in the instructions provided with this product.
- This guarantee does not cover damages due to improper installations, such as foreign residues left in the system after installation or over-tightened water connections.
- The finish on the product is not guaranteed if abrasive cleaners or chlorine-based cleaners are used.
- This guarantee does not cover product, which has been subjected to abnormal use, or to use under abnormal conditions or beyond it's capacity.
- This guarantee does not cover leaks or corrosion at the water or nut connections of the radiator due to incorrect installation. The connection seals may also need to be remade after time. Please refer to the radiator instructions for details.

In the event that the product purchased proves defective within the first 12 months please contact the place where you made the purchase and ensure you retain a valid receipt or other proof of purchase. Claims after this 12 month period must be made in writing to ETS at the address below and must include a valid receipt or other proof of purchase. If the claim is found to be valid the product will be replaced within 25 working days, depending on product availability. If the product line is no longer in production a replacement will be as close to the original as possible.

This guarantee applies only to the United Kingdom and Eire.

This guarantee does not affect your statutory rights. **Information on your statutory rights can be obtained from your local Trading Standards Department.**

Contact :

SIMON HALL
ETS CUSTOMER CARE
UNIT G1
TOM BILL WAY
ASHBY DE LA ZOUCH
LE65 2UY

TEL 01530 416501
FAX 01530 560088

Guarantee Registration: There is a possibility but no need to register after buying this product:

Name: _____

Address: _____

Purchased from: _____ Date: _____

If you want to register, please send this filled form together with a copy of your invoice to the address or Faxnumber above.

This guarantee is given by ETS Dienstleistungs und Handels GmbH, AT- 6973 Höchst,
Gewerbestr. 9a ; Tel.: +43 5578 74150 ; Fax: + 43 5578 74150-9

05/2019